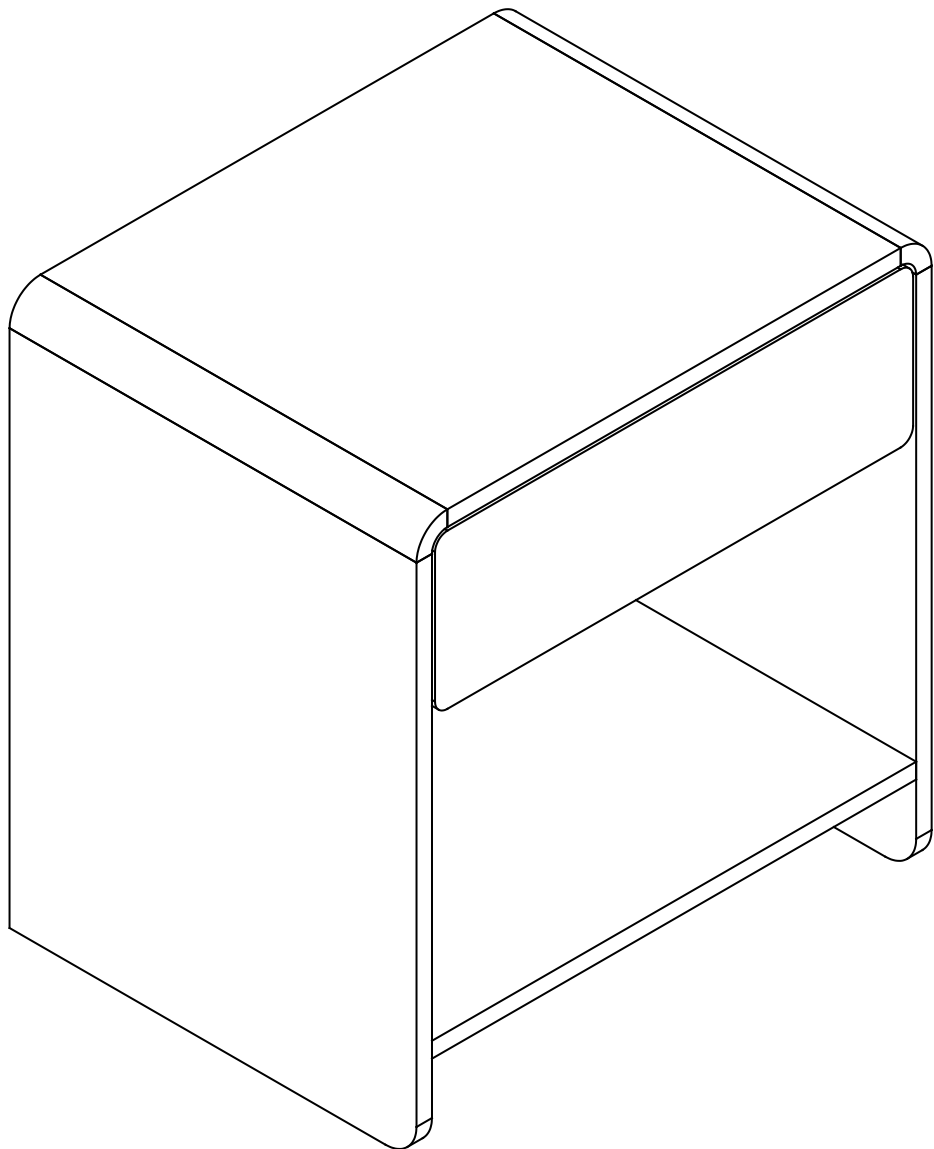


Owen

Bedside Table

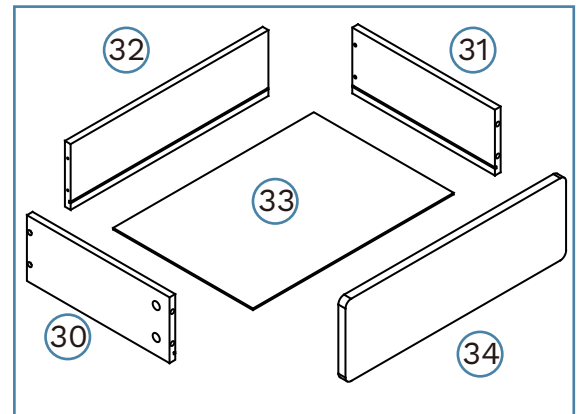
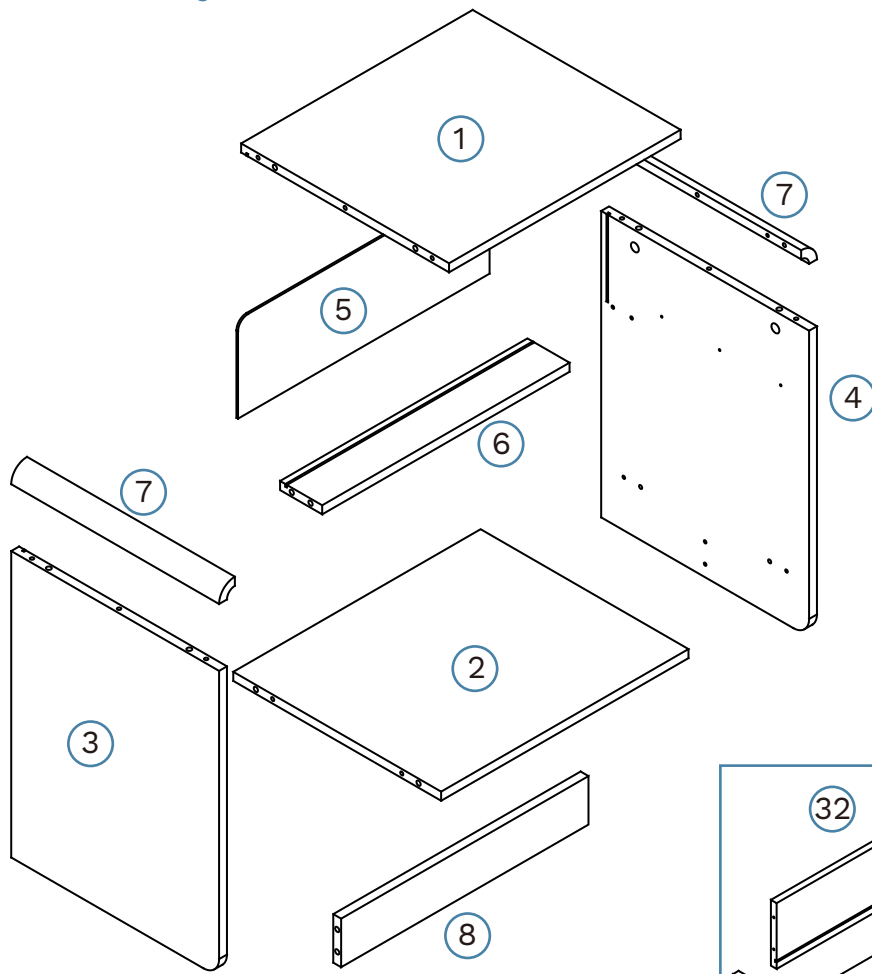
Thank you for your purchase. Please follow the instructions for correct assembly. While we took great effort to ensure these assembly instructions were correct at the time of printing, sometimes updates are required post production. For the most up to date versions please refer to the product page on our website. mocka.com.au/mocka.co.nz



Owen

Bedside Table

Panel Layout














Partlist


①	Top Panel	x1	⑧	Rail	x1
②	Bottom Panel	x1	③①	Left Drawer Side	x1
③	Left Side Panel	x1	③②	Right Drawer Side	x1
④	Right Side Panel	x1	③③	Drawer Back	x1
⑤	Back Panel	x1	③④	Drawer Base	x1
⑥	Rail	x1		Drawer Front	x1
⑦	Rail	x2			

Owen

Bedside Table

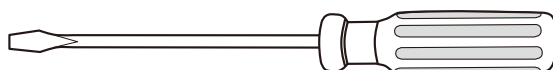
A  dowel x 16	B  screw x 4	C  bolt x 24	D  locking nut x 24	E  screw x 10	F  wedge x 4
G  screw x 4	CL  slide rail x 1	CR  slide rail x 1	DL  slide rail x 1	DR  slide rail x 1	

HARDWARE SUPPLIED

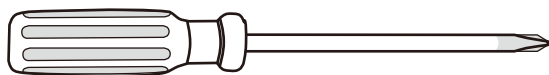
V  safety strap x 1	W  screw x 1	X  wall anchor x 1	Y  wall screw x 1	Z  washer x 2
--	---	---	--	--

WALL STRAP

WARNING: Any furniture that is not anchored to a wall has the potential to tip over in certain circumstances, i.e. if a child attempts to climb up on the furniture or in the event of an earthquake. Accordingly, we recommend that all furniture is anchored to a wall. We supply a free safety wall anchor with all furniture sold and we recommend these are used to prevent your product tipping. The fixing device provided should fit most wall types, but please note that different wall materials may require different fixing devices from those supplied.



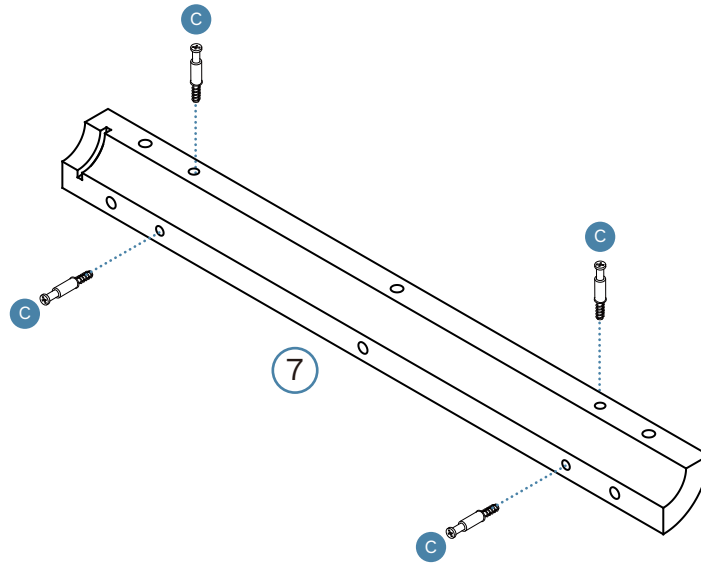
Phillips & Flathead screwdrivers required




For quicker assembly, we recommend the use of a power drill on a low-speed setting.

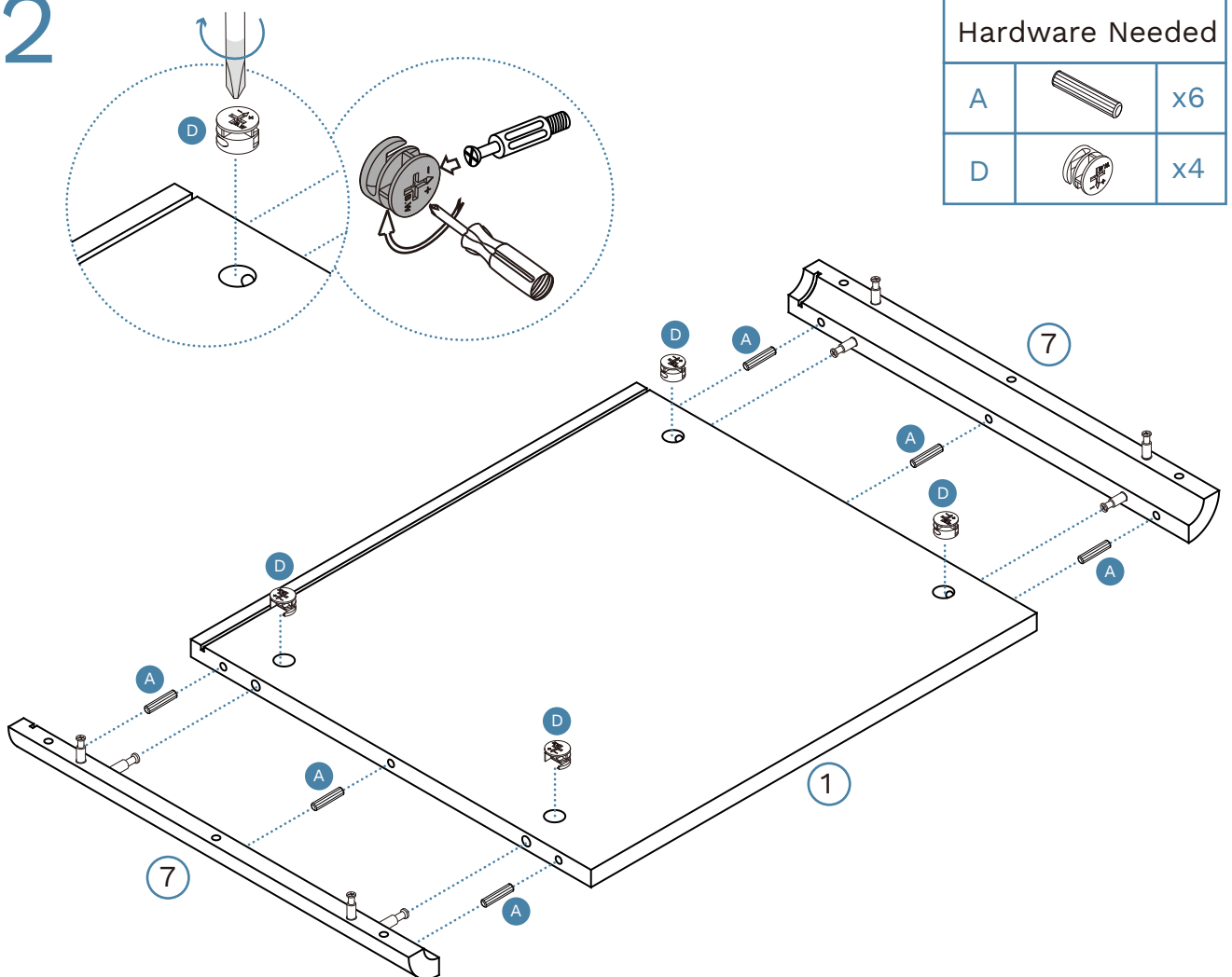
Owen
Bedside Table



1 x2



Hardware Needed		
C		x8

2

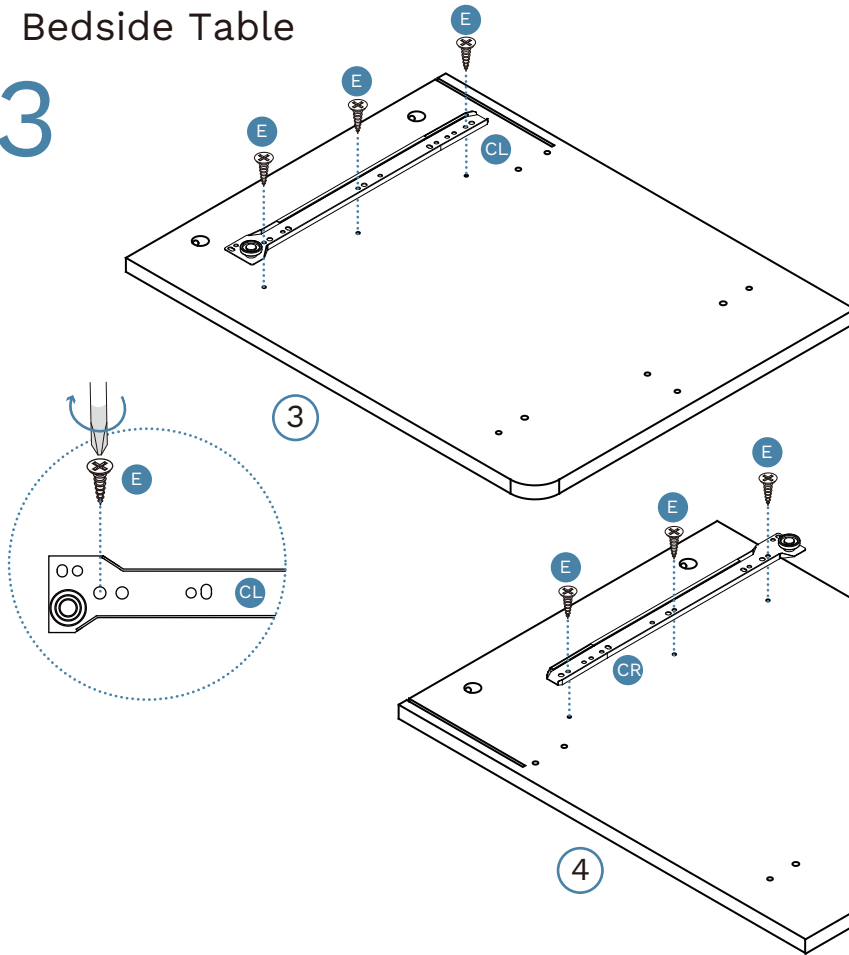





Hardware Needed		
A		x6
D		x4

Owen

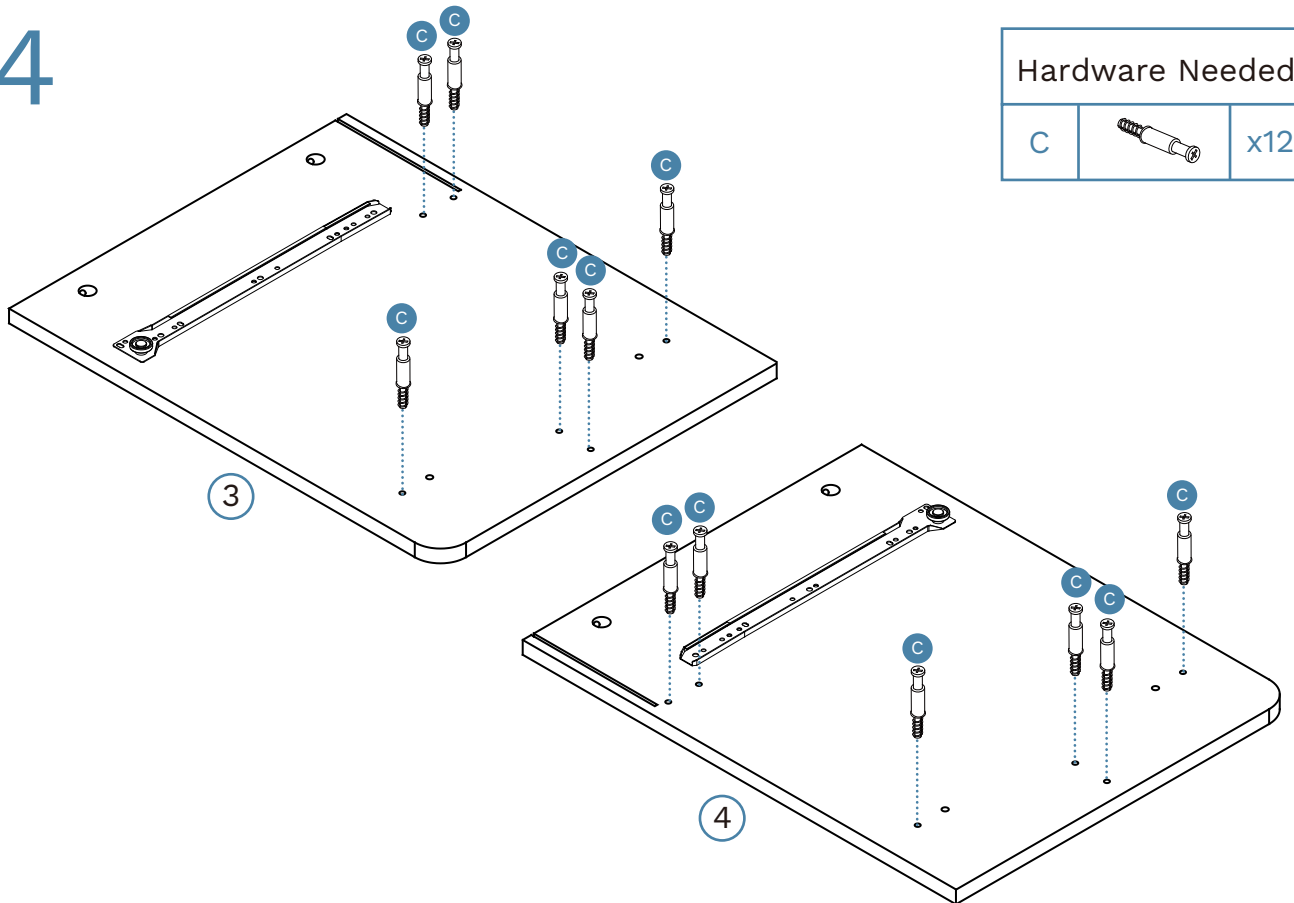
Bedside Table


3



Hardware Needed		
E		x6
CL		x1
CR		x1

4

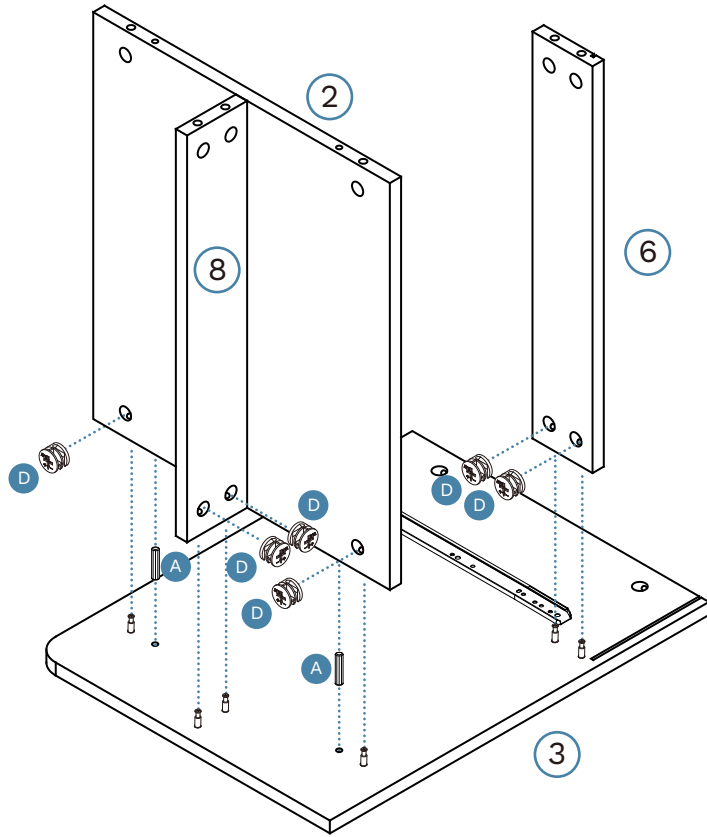




Hardware Needed		
C		x12

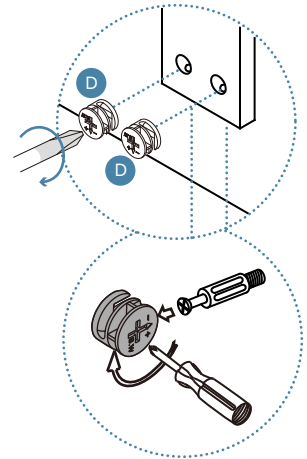
Owen

Bedside Table

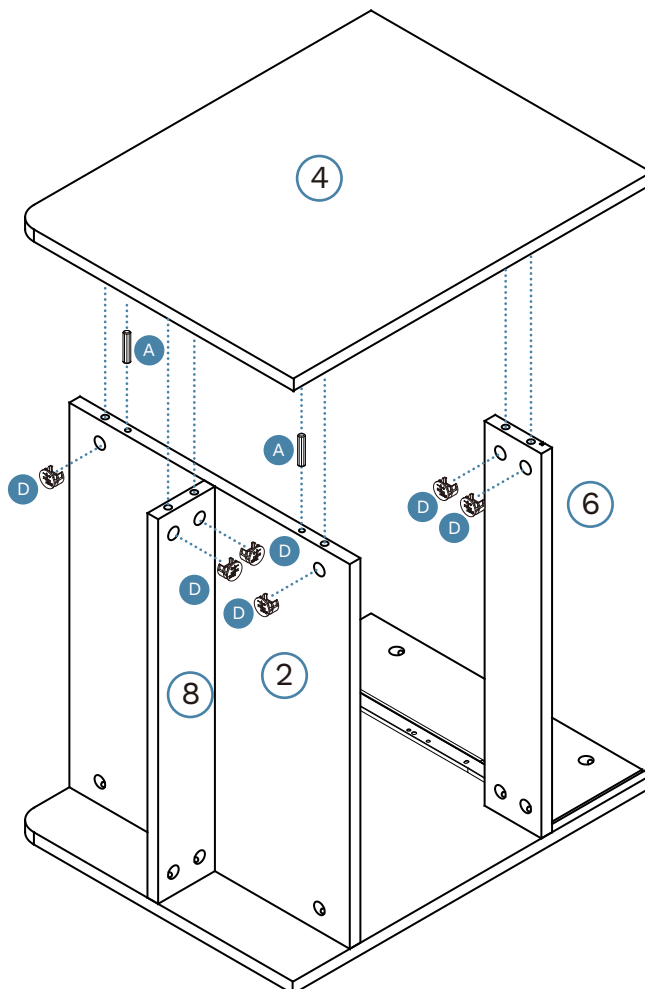
5





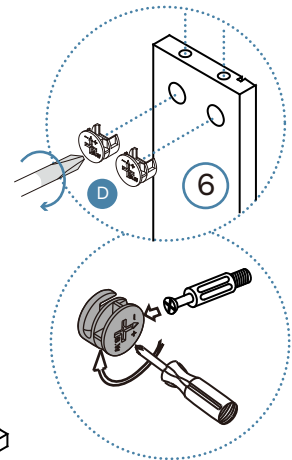
Hardware Needed		
A		x2
D		x6



6

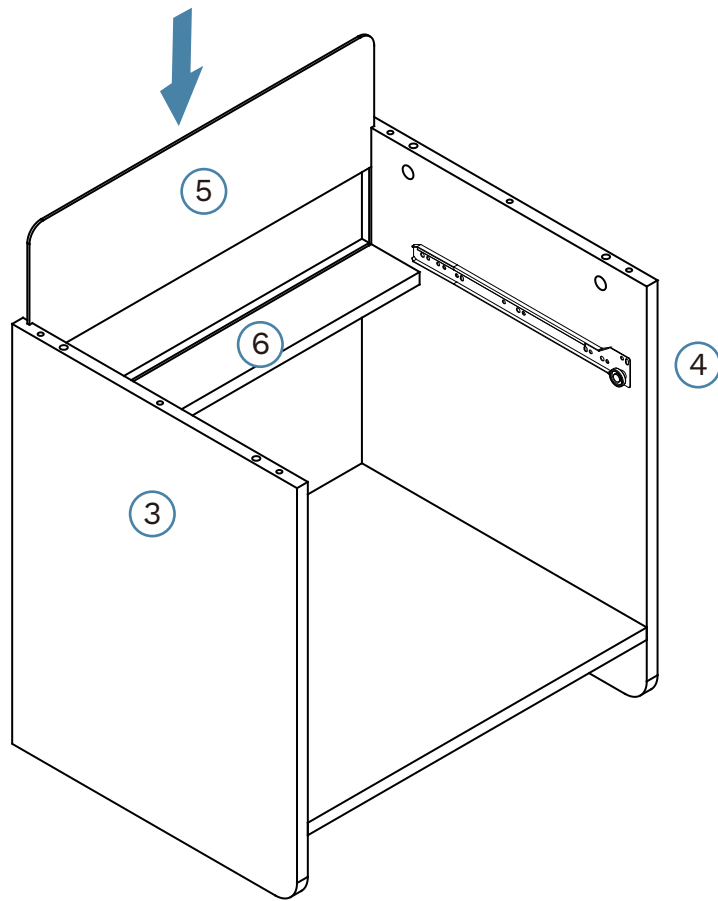


Hardware Needed		
A		x2
D		x6

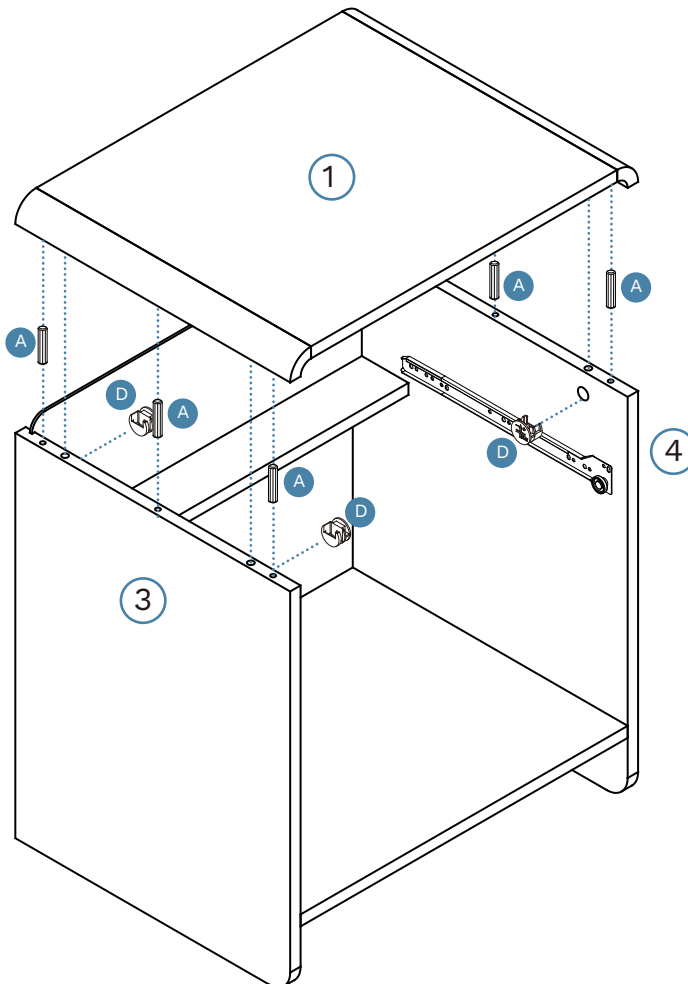




Owen
Bedside Table

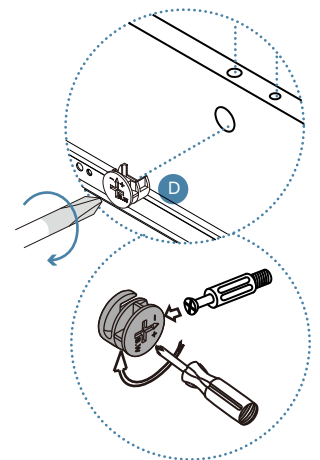
7



8

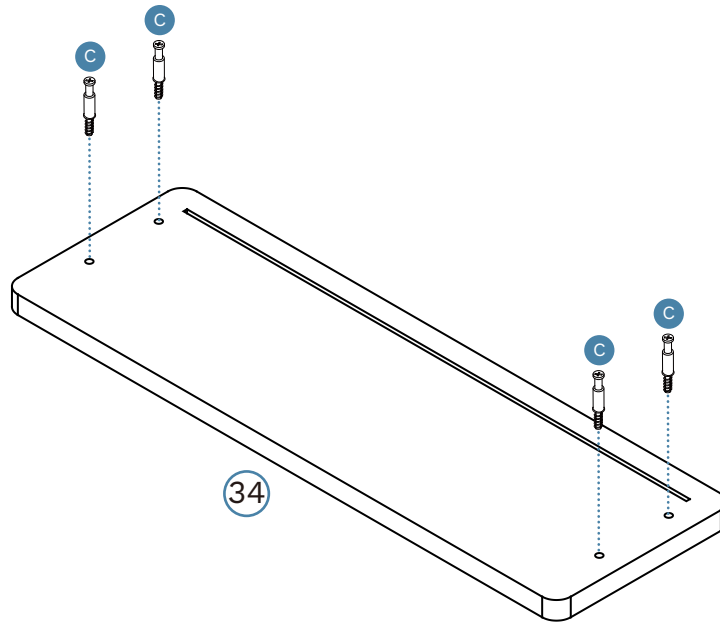


Hardware Needed		
A		x6
D		x4




Owen
Bedside Table

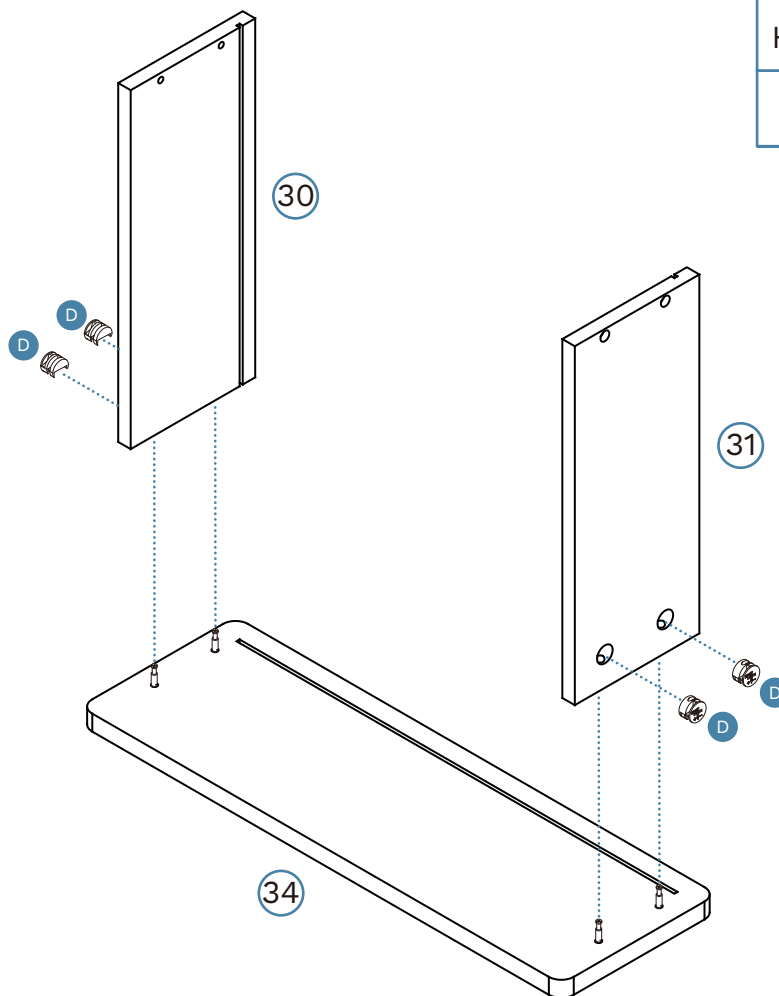
9



Hardware Needed

C		x4
---	---	----

10

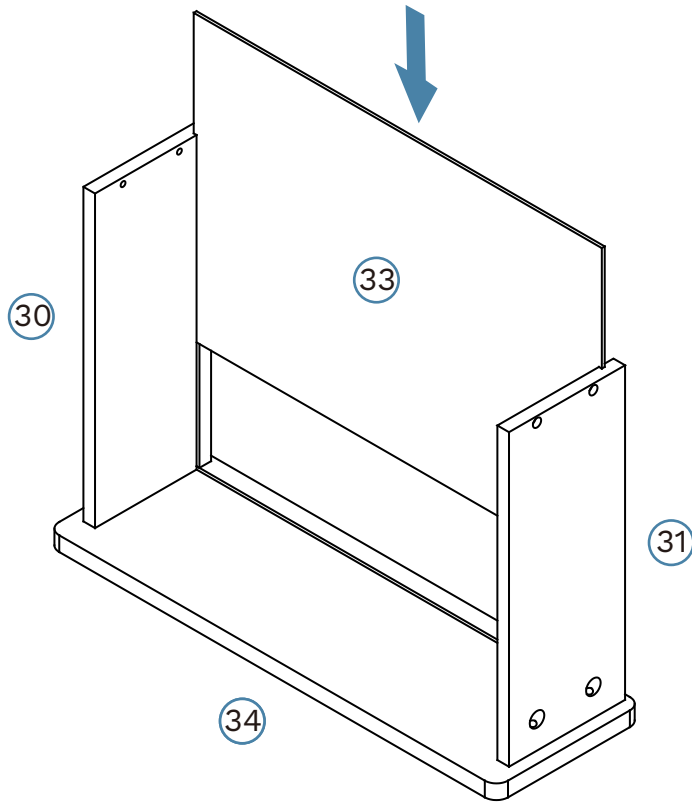


Hardware Needed


D		x4
---	---	----

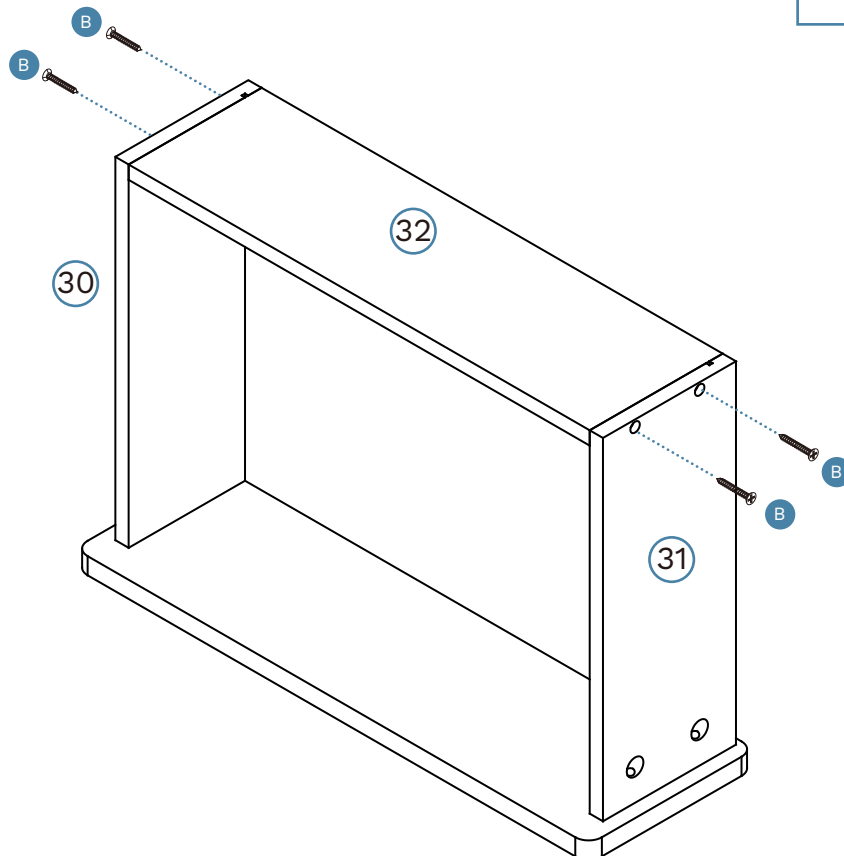
Owen
Bedside Table

11



12

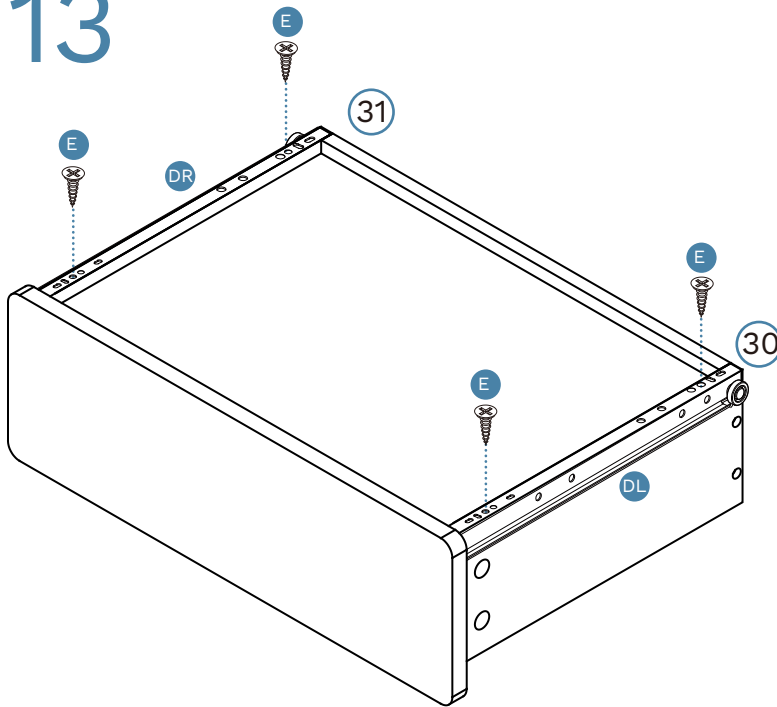
Hardware Needed		
B		x4






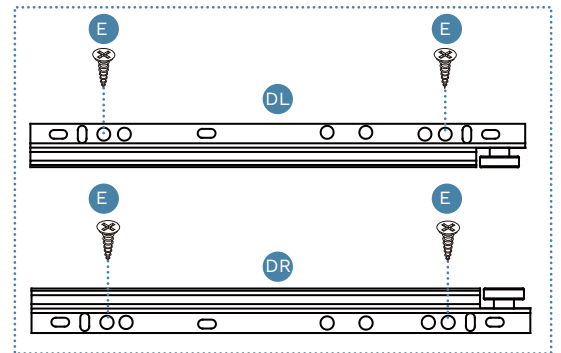
Owen

Bedside Table

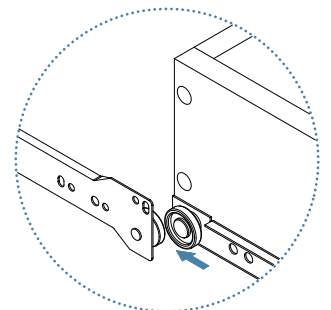
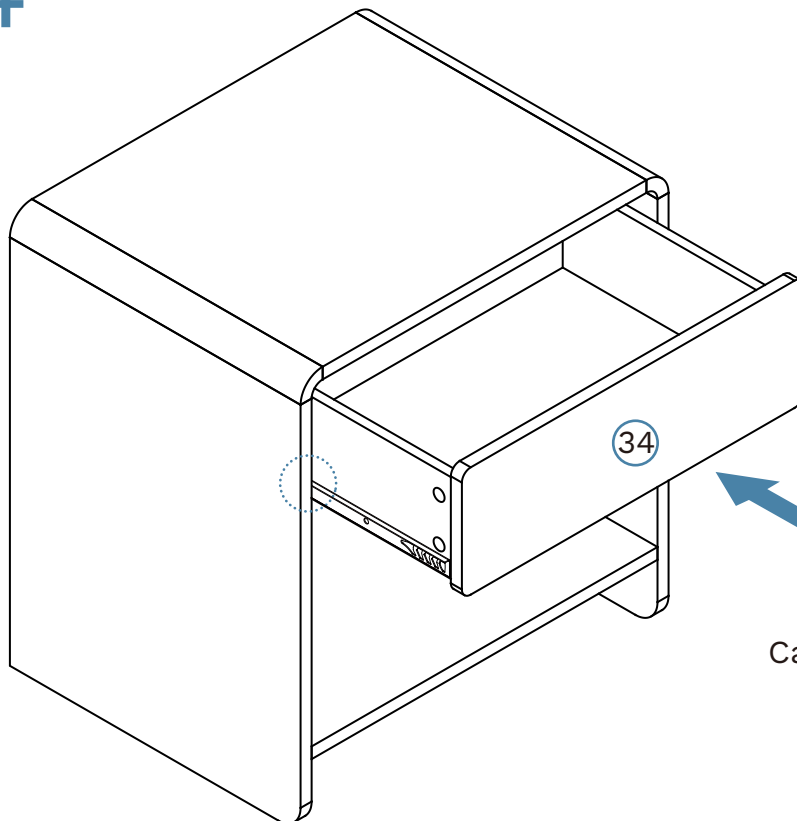
13



Hardware Needed		
E		x4
DL		x1
DR		x1



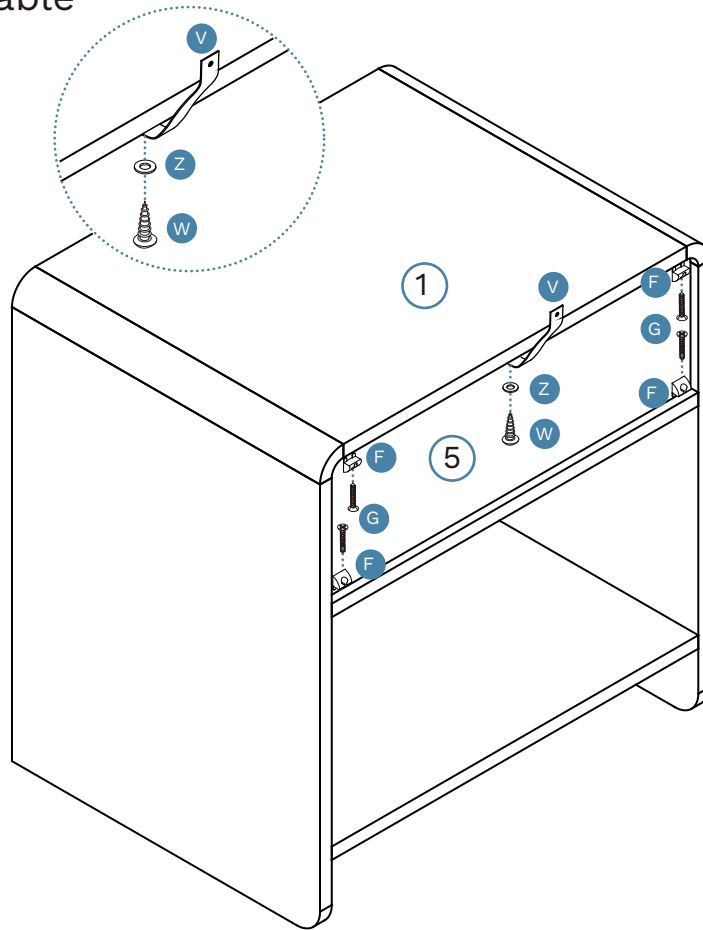
14



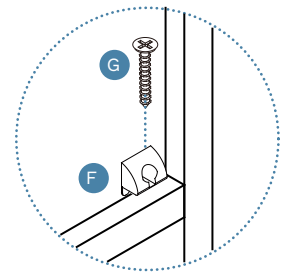
Carefully insert the drawers into the unit by gently guiding the runners into the tracks.

Owen
Bedside Table

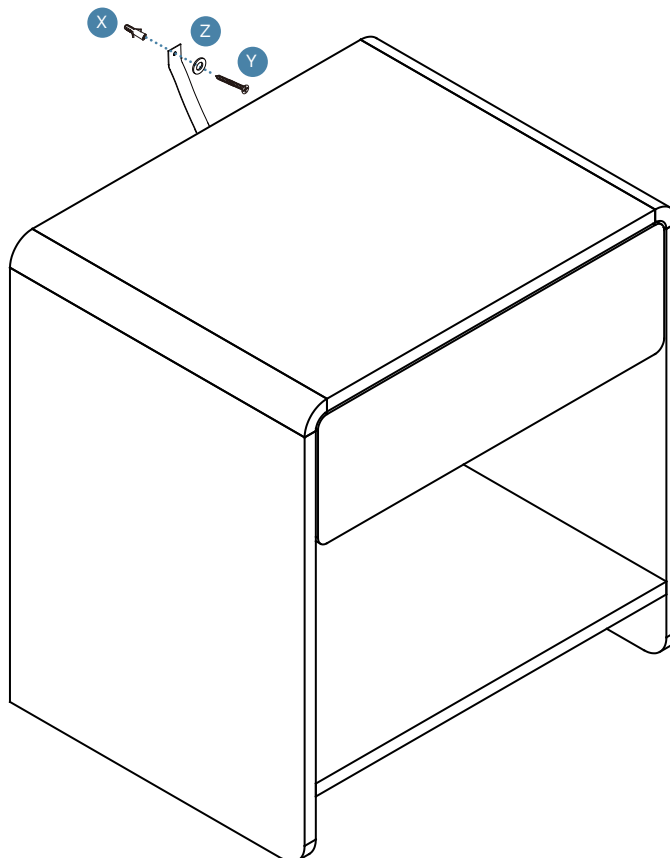
15



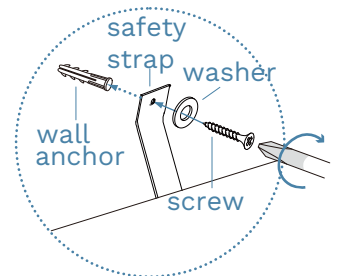
Hardware Needed		
F		x4
G		x4
V		x1
W		x1
Z		x1



16



Hardware Needed		
X		x1
Y		x1
Z		x1



Note: Seek advice from a qualified trades person on how to attach this safety strap to your specific wall.

Once assembled lift furniture into place, do not drag. You're done, enjoy!